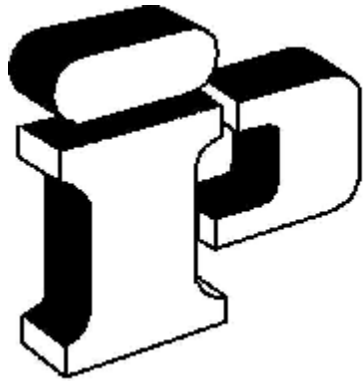


# ITALPRESSE & FENCO-ALDRIDGE



## ITALPRESSE

Macchine e sistemi per la pressocalata  
Equipment for high pressure diecasting

■ **Fenco-Aldridge**

# INNOVATION FLOOD WELDED PLATEN



■ **Fenco-Aldridge**

 **ITALPRESSE**  
Macchine e sistemi per la pressocalata  
Equipment for high pressure diecasting

# INNOVATION

# ROLLED THREADED TIE BARS

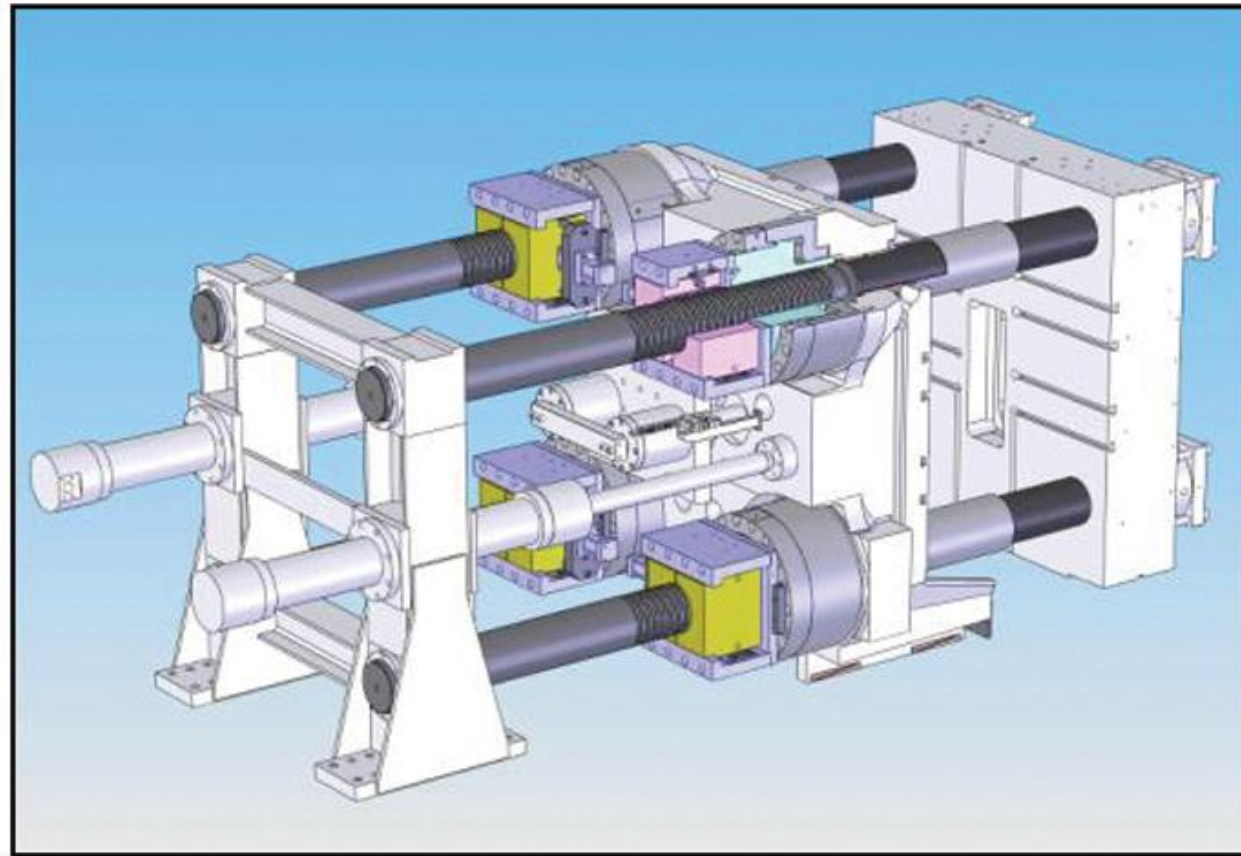


# TOGGLE FREE DIECASTING

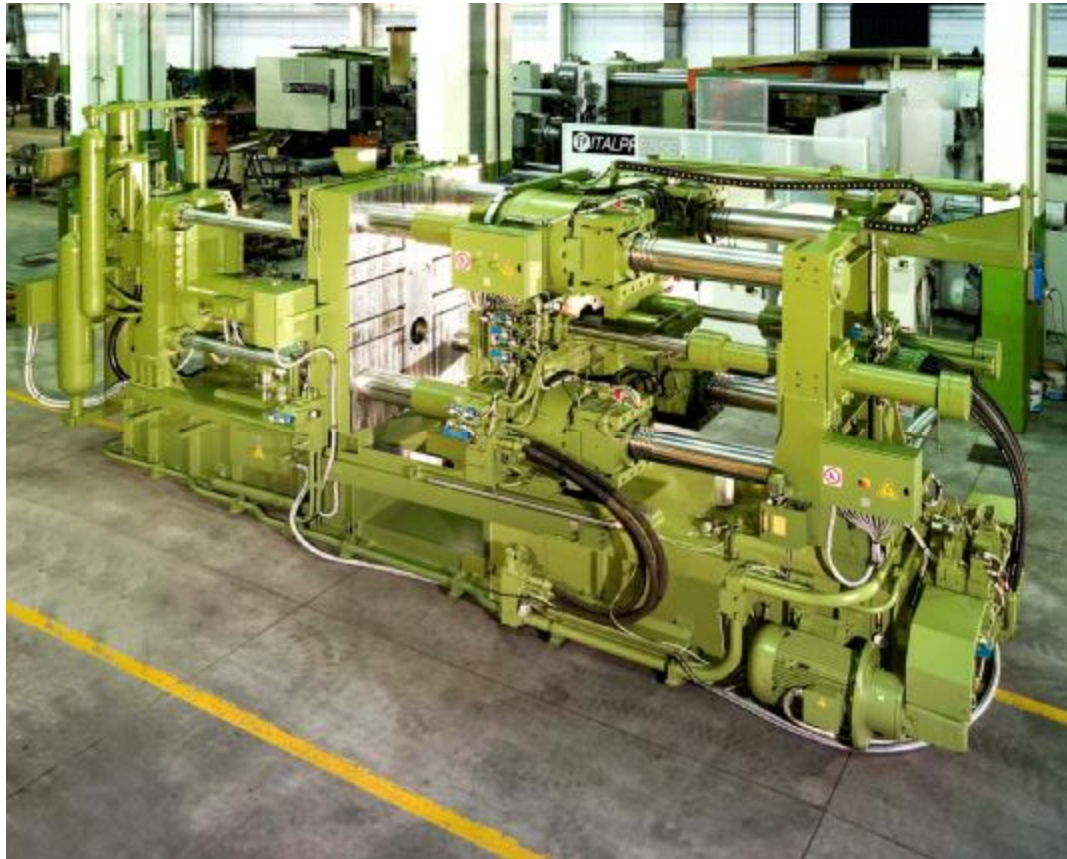
## FINDING THE **HOLY GRAIL**



# WHAT IS TOGGLE FREE DIECASTING



# WHAT IS TOGGLE FREE DIECASTING



 **Fenco-Aldridge**

 **ITALPRESSE**  
Macchine e sistemi per la pressocalata  
Equipment for high pressure diecasting

# SIZE

## SMALLER DIMENSIONS

- **OVERALL DIMENSIONS – SMALLER**
- **MOVING PLATEN STROKE – LONGER**
- **MACHINE PLATEN STROKE – LARGER**
- **CENTRAL EJECTION STROKE - INCREASED**

# STRENGTH AND RIGIDITY

- FEWER MOVING PARTS
- INCREASED TIE BAR DIMENSIONS
- IMPROVED DIE PARALLELISM
- IMPROVED MACHINE LIFE

# WHY NOT SUCCEEDED BEFORE

- **ARDUOUS CONDITIONS**
- **HYDRAULIC FILTRATION ETC.**
- **COST OF COMPONENTS**
- **RISK OF REPUTATION**

# WHY ITALPRESSE?



■ **Fenco-Aldridge**

 **ITALPRESSE**  
Macchine e sistemi per la pressocalata  
Equipment for high pressure diecasting

# WHY ITALPRESSE?



 **Fenco-Aldridge**

 **ITALPRESSE**  
Macchine e sistemi per la pressocalata  
Equipment for high pressure diecasting

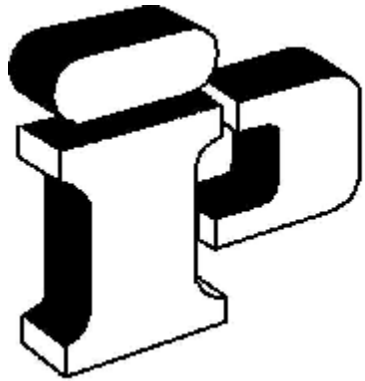
# WHY ITALPRESSE?



**Fenco-Aldridge**

**ITALPRESSE**  
Macchine e sistemi per la pressocolata  
Equipment for high pressure diecasting

# ITALPRESSE & FENCO-ALDRIDGE



## ITALPRESSE

Macchine e sistemi per la pressocalata  
Equipment for high pressure diecasting

■ **Fenco-Aldridge**